



Outstanding rough terrain driving features

- Continuous outreach control
- Differential wheel lock
- Up to 4 simultaneous, proportional movements
- The tightest turning radius on the market

Optimized serviceability

- Optimized productivity
- Easy access to all components
- Self-diagnosis integrated on the lower control box

Reliable safety

- Optional Haulotte Activ'Shield™ Bar



Haulotte 
GROUP

More than lifting



HA130 RTJ PRO

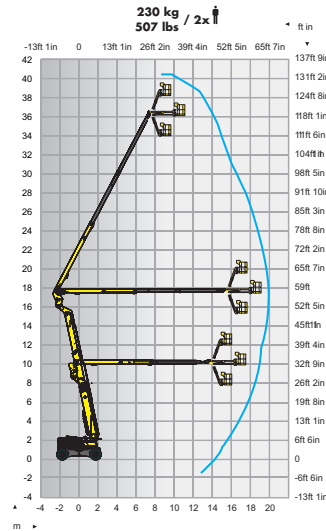
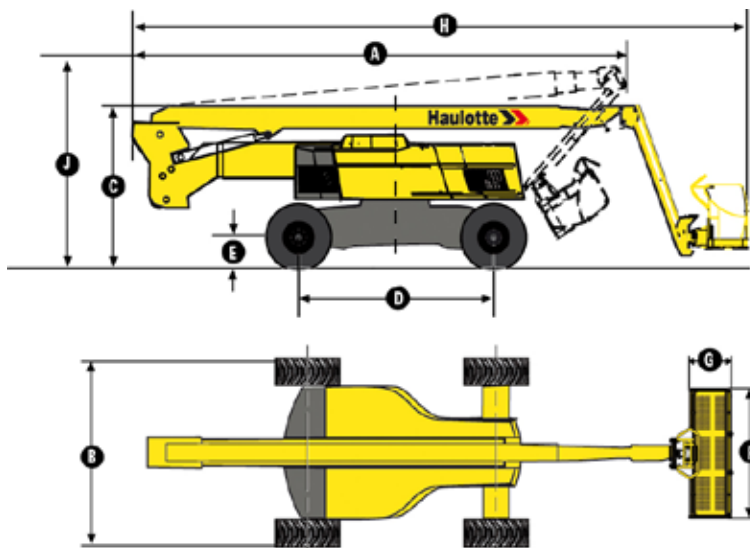
ROUGH TERRAIN ARTICULATING BOOMS



TECHNICAL DATA

HA130 RTJ PRO

Working height	136 ft 2 in
Platform height	129 ft 7 in
Horizontal outreach	65 ft 11 in
Up and over height	57 ft 5 in
Below ground reach	4 ft 11 in
Lift capacity	500 lbs
F x G Platform size	8 ft x 3 ft
H Length	43 ft
A Transport length	36 ft 1 in
B Width	8 ft 2 in
Width - with extended axles	10 ft 10 in
C Height - stowed	9 ft 10 in
J Transport height	12 ft 3 in
Vertical jib rotation	140° (+70°/-70°)
Platform rotation	180° (+90°/-90°)
Turntable rotation	360° continuous
Tailswing	12 ft 9 in
D Wheelbase	11 ft 6 in
E Ground clearance	15 in
Tilt alarm	4 °
Drive speed	0,31 - 3,1 mph
Gradeability	40 %
Outside turning radius - extended axle	18 ft 10 in
Tires	445/65-22.5
Engine	TIER 3: PERKINS 55.5 kW - 74.5 hp (Europe) / 62.4 kW - 84.9 hp (Outside Europe) TIER 4: DEUTZ 55 kW-74 hp
Weight	52,700 lbs



STANDARD EQUIPMENT

- 4 wheel drive and 4 wheel steer
- Front oscillating axle
- 2 extendable axles
- Differential wheel lock
- Fully proportional controls
- 4 simultaneous movements
- 500 lb (2 person) load capacity with unrestricted working envelope
- Standard modular large platform with swing door entry gate
- Upper control box protection cover and tool tray in plastic ultra-solid material
- AC power to the platform
- Hydrostatic transmission
- Safe to use in winds up to 28mph
- Tilt / load alarm and light
- Electric pump system and emergency descent controls in upper control box
- 12V battery
- Towing hooks
- Hourmeter
- Low fuel level indicator (upper control box)
- Engine pre-heater with light indicator
- Basket compensation +/-10°
- Travel alarm
- Flashing beacon
- Swing out engine tray
- Optional Haulotte Activ'Shield™ Bar

OPTIONS AND ACCESSORIES

- On-board hydraulic 3.5 kW generator
- Hydraulic oil cooler
- Hydraulic oil in tank and circuit for warm countries
- Biodegradable hydraulic oil
- Automatic overspeed air shutdown valve (electric one-way valve, flame arrester, spark arrester)
- Cold weather kit
- Air line to the platform
- Cap with key for diesel tank
- 55W platform worklight
- Glazier pack
- Pipe cradle
- Lateral swing door entry gate (Standard on US machines)
- Haulotte Activ'Shield™ Bar