



HA43 JE

Excellent maneuverability

- Compact size with 4 ft 11 in width
- 6 ft 11 in stowed height can pass through a standard doorway
- 130° (+65°/-65°) fly jib range of motion
- Tight turning radius (13 ft)

Optimal productivity and comfort

- 28 ft 5 in outreach
- Long working cycles
- Full proportional controls

Reliable and easy to maintain



Haulotte 
GROUP



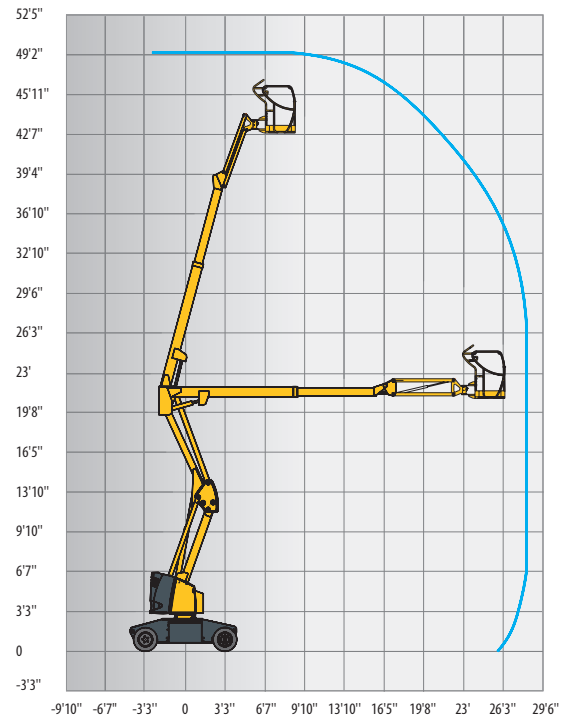
HA43 JE

ELECTRIC ARTICULATING BOOMS

TECHNICAL DATA

HA43 JE

Working height	48 ft 3 in
Platform height	42 ft 3 in
Horizontal outreach	28 ft 5 in
Up and over clearance	20 ft 6 in
Lift capacity	500 lbs
Vertical jib rotation	130° (+65/-65)
A Length	21 ft 10 in
B Width	5 ft 0 in
C Height - stowed	6 ft 11 in
Transport height	9 ft 11 in
D Wheelbase	6 ft 7 in
E Ground clearance	6 in
F x G Platform size	3 ft 9 in x 2 ft 7 in
Tailswing	0 in
Drive speed	0.4 - 2.8 mph
Turning radius - outside	13 ft
Turntable rotation	355 °
Platform rotation	180° (+90/-90)
Batteries	48 V - 345 Ah (C5)
Gradeability	25 %
Tires	23x10-12
Hydraulic tank capacity	8 gal
Weight	15,942 lbs

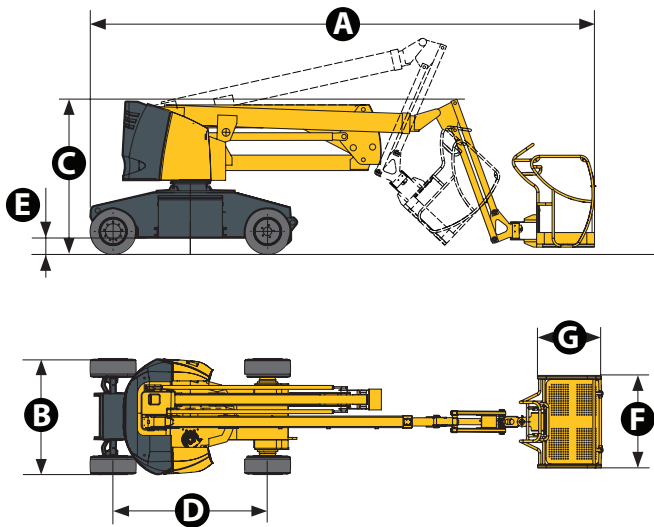


STANDARD EQUIPMENT

- 2 wheel drive
- 48 V DC drive system
- Solid state battery charger
- Solid non-marking tires
- Towing hooks and lifting points
- Descent alarm
- Hour meter
- Low voltage interrupt
- Battery charge indicator
- Tilt alarm
- AC power to the platform
- Automatic platform leveling
- Fully proportional controls
- Electronic horn
- Auxiliary power in the platform for emergency down

OPTIONS AND ACCESSORIES

- Centralized battery filling
- Flashing beacon
- Motion alarm (travel and elevate)
- Centralized battery filling
- 360 Ah traction batteries
- 10 W platform working light
- Air line to platform
- Remote electric brake release
- Biodegradable oil
- 5 ft platform



24-03-2640 - We reserve the right to modify the technical characteristics of this document without notice - 09/2018