

ROUGH TERRAIN TELESCOPIC BOOMS



HT67 RTJ 0 HT67 RTJ PRO

Outstanding performance

- 73 ft working height
- 60 ft maximum outreach

Exceptional productivity

- Best lifting speed 56 seconds
- Fully proportional and simultaneous movements

Reliable safety and comfort

- Most rigid boom
- Single control for both steering axles

Optimized serviceability

- Easy access to all components
- Easy boom maintenance
- Modular basket
- Haulotte Activ'Shield™ Bar (optional)
- ACTIV'Screen diagnostic display for fault and service alerts



Haulotte 
GROUP

www.haulotte-usa.com



HT67 RTJ O / RTJ PRO



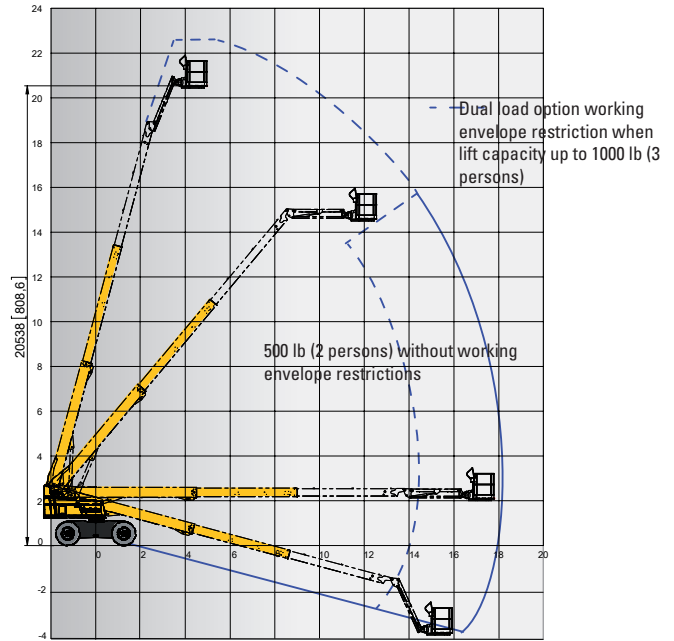
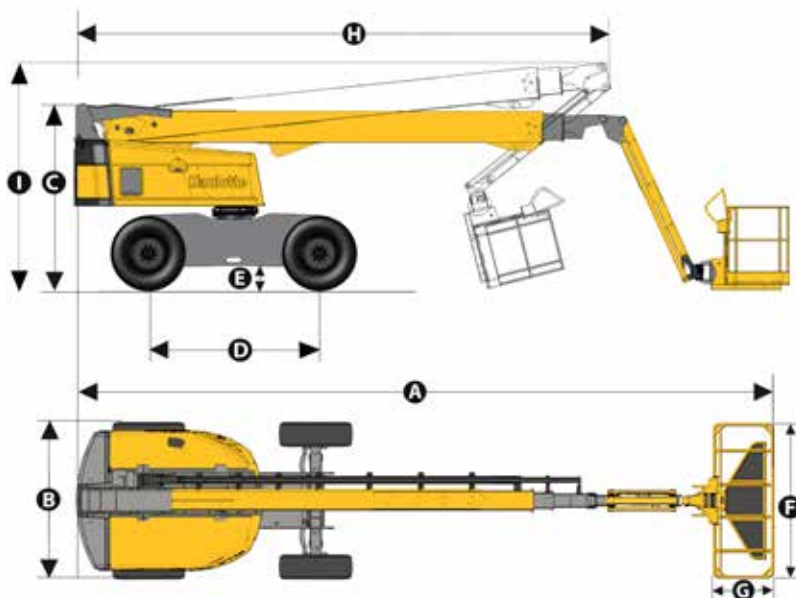
ROUGH TERRAIN TELESCOPIC BOOMS

TECHNICAL DATA

HT67 RTJ O
2WS

HT67 RTJ PRO
4WS

Working height	73 ft	
Platform height	67 ft	
Horizontal outreach	60 ft 5 in	
Below ground reach	13 ft 1 in	
Lift capacity	500 lbs (2 persons)	
F x G Platform size	8 ft x 3 ft	
A Length	34 ft 3 in	
H Length - storage	25 ft 8 in	
B Overall width	8 ft 1 in	
C Height - stowed	8 ft 11 in	
I Height - storage	10 ft 10 in	
Vertical jib rotation	133° (+68/-65)	
Platform rotation	180° (+90/-90)	
Boom rotation angle	90° (+75/-15)	
Turntable rotation	360° continuous	
Tailswing	3 ft 7 in	
D Wheelbase	8 ft 2 in	
E Ground clearance	14 in	
Tilt alarm	5°	
Drive speed	0.3 - 4.0 mph	
Gradeability	40 %	
Turning radius - outside	20 ft 8 in	11 ft 2 in
Tires	385/65 - 22.5	
Engine	TIER 4 final Kubota 36.5 kW - 48.9 hp / DUAL FUEL Kubota 46 kW – 62 hp	
Weight	25,776 lbs	25,953 lbs



STANDARD EQUIPMENT

- 4 Wheel drive / 2 wheel steer (O model) or 4 wheel steer (PRO model)
- Automatic differential lock
- Front oscillating axle
- Fully proportional controls
- 4 simultaneous movements
- 500 lbs load capacity unrestricted working envelope
- Large modular basket
- Upper control box protection cover and tool tray in ultra-solid composite
- Power to the platform
- Basket limitation +/- 10°
- ACTIVScreen diagnostic display for fault and service alerts
- Swing out engine tray for easy maintenance
- Hourmeter
- Low fuel level indicator (upper control box)
- Engine pre-heater with light indicator
- Tilt / load alarm and light
- Maximum wind speed 45 km/h / 28 mph
- 12 V battery
- Electric pump system and emergency descent
- Rotating beacon
- Travel alarm
- Haulotte ActivShield™ Bar (optional)

OPTIONS AND ACCESSORIES

- Dual load capacity 500 lbs / 1000 lbs (2 / 3 persons)
- Narrow modular platform
- Lateral Swing door entry gate (Standard on US machines)
- Power to the platform (Standard on US machines)
- 37 mph wind speed
- 3.5 kW, 635 kW, 12 kW (Only NA) hydraulic generator
- Pipe rack
- Glazier pack
- Warm environment kit
- Cold weather package / Kit Arctic
- Biodegradable hydraulic oil
- Air line to platform
- Working lights
- Haulotte ActivShield™ Bar